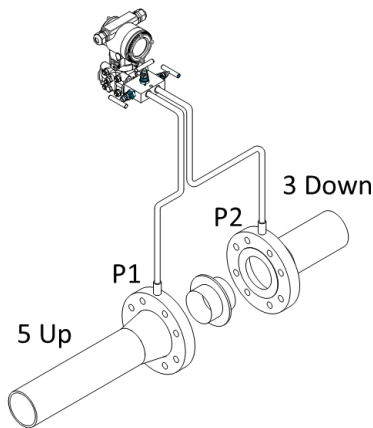


# TORUS FLOW ELEMENT

Process Instrumentation and Measurement Services, Inc. is pleased to provide the Torus Flow Element from Bell Technologies, LLC. "IMPOSSIBLE MEASUREMENTS, MADE POSSIBLE"

## Features

- ◆ Utilizes decades of experience with a better flow element
- ◆ Directional and Bi-Directional Flows
- ◆ Conforms to API COPM Chapter 22.2 Testing Protocol
- ◆ Same flow element is used in liquids and gas applications
- ◆ Very Stable DP Readings
- ◆ Low sensitivity to profile distortion

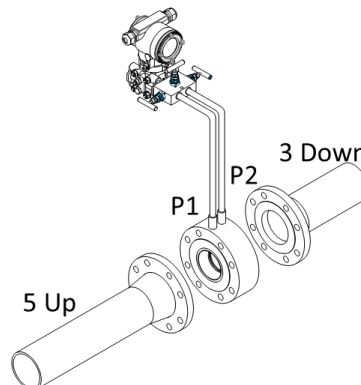


## Reduction in Maintenance Cost

- ◆ Self-Cleaning design
- ◆ No Sharp edges to maintain
- ◆ No rough surfaces to inspect
- ◆ Less frequent inspections
- ◆ EFM provides real-time diagnostics to alert of potential problems
- ◆ Remote monitoring capabilities
- ◆ Eliminates hazardous gases released to atmosphere
- ◆ Reduces overall Carbon Footprint

## Reduction in Installation Cost

- ◆ Installs between 2 flanges
- ◆ Self-Centering Design
- ◆ No critical meter alignments required
- ◆ No flow profiler or straightening
- ◆ Replaces carrier plates in single and dual chamber fittings
- ◆ Provides mixed flows downstream



## SPECIFICATIONS

Pipe Sizes	1/4" to 60"	
Flanges /Couplings/End Connection	ANSI 150, 300, 600, 900, 1500, 2500	
	API 6A 5M, API 6B 5M, Hammer Union	
	Flat Faced, Raised Face, RTJ Ring Seal	
Pressure	0 to 20,000 PSIG	
Temperature	Body	-20° to 700° F
	Electronics	-40° to 150° F
Accuracy	+/- 1% Uncalibrated (0.5% Calibrated)	
Repeatability	0.02%	
Turndown	7:1 Standard (Up to 15:1)	
Complies with API 22.2	Yes	
Material Composition	Standard 316 Stainless Steel, option material available	
Flow Direction	Bi-Directional	
Process Media	Homogeneous and Multiphase; Clean Gas thru Slurries	
Meter Body	Insertable between two flanges (refer to End Connections)	
Straight Pipe Run Required	5 Pipe Diameters Up/ 3 Pipe Diameters Down	

## ORDERING INFORMATION

TFE	Element		Flow Direction		Line Size	Line Schedule	Flange Type		Pressure Class - ANSI 150 thru 2500/ API 6A	Flange Face Type		Material of Construction		Beta Ratio	
	A	Torus Wedge	A	Uni-Directional	1/4" thru 60"	10 through XXH	A	ANSI		A	Raised Face	A	304SS	A	0.7
	B	Center-Tap Torus	B	Bi-Directional			B	API		B	Flat Face	B	316SS	B	0.5
	C	Carrier Plate Torus								C	RTJ Ring Seal Face	C	Carbon	C	0.3
										D	API 6A	D	HDPE		
										E	Titanium	E	Titanium		
										F	Hastelloy	F	Hastelloy		
<b>TFE</b>	A	A	4"	40	A	150	A	A	A	A	A				

### Process Instrumentation and Measurement Services, Inc.

For ordering information contact:

Robert Arias Ph: +1 (832) 661-5446 Email: robert.arias@promeservices.com

Address: 726 Longhorn Trail, Angleton, Texas 77515

